

Reverse Engineering Process



Reverse Engineering Process

Formula 1 Standard Process



Existing part

3D scanning

CAD model

Dimension extraction

Jig design

Jig drawings and machining

Jig Assembly

Press tools

Pressings

Flanges

Location

Welding

Finished part

Reverse Engineering Process



Reverse Engineering Process

Formula 1 Standard Process

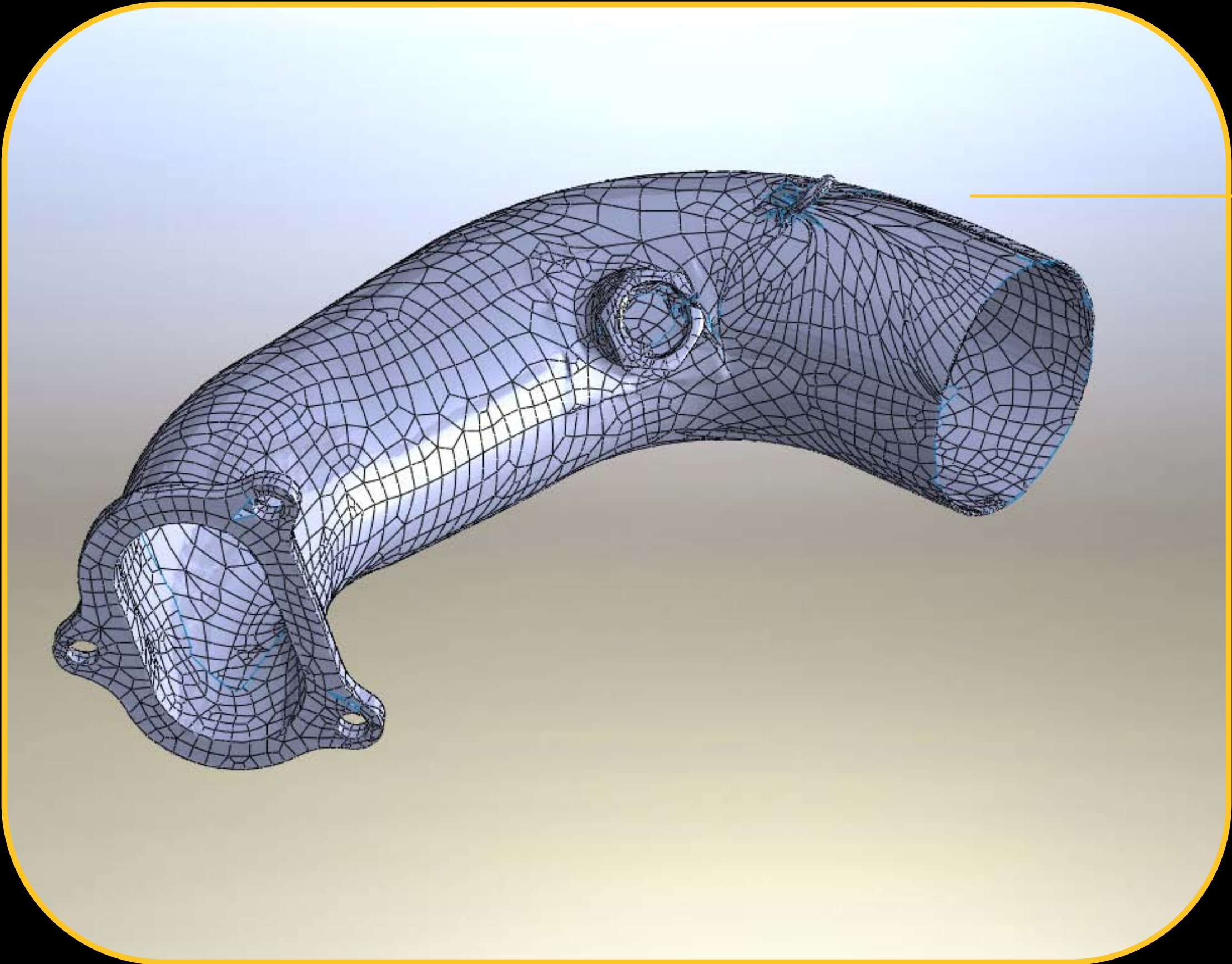


- Existing part
- 3D scanning**
- CAD model
- Dimension extraction
- Jig design
- Jig drawings and machining
- Jig Assembly
- Press tools
- Pressings
- Flanges
- Location
- Welding
- Finished part

Reverse Engineering Process

Reverse Engineering Process

Formula 1 Standard Process



Existing part

3D scanning

CAD model

Dimension extraction

Jig design

Jig drawings and machining

Jig Assembly

Press tools

Pressings

Flanges

Location

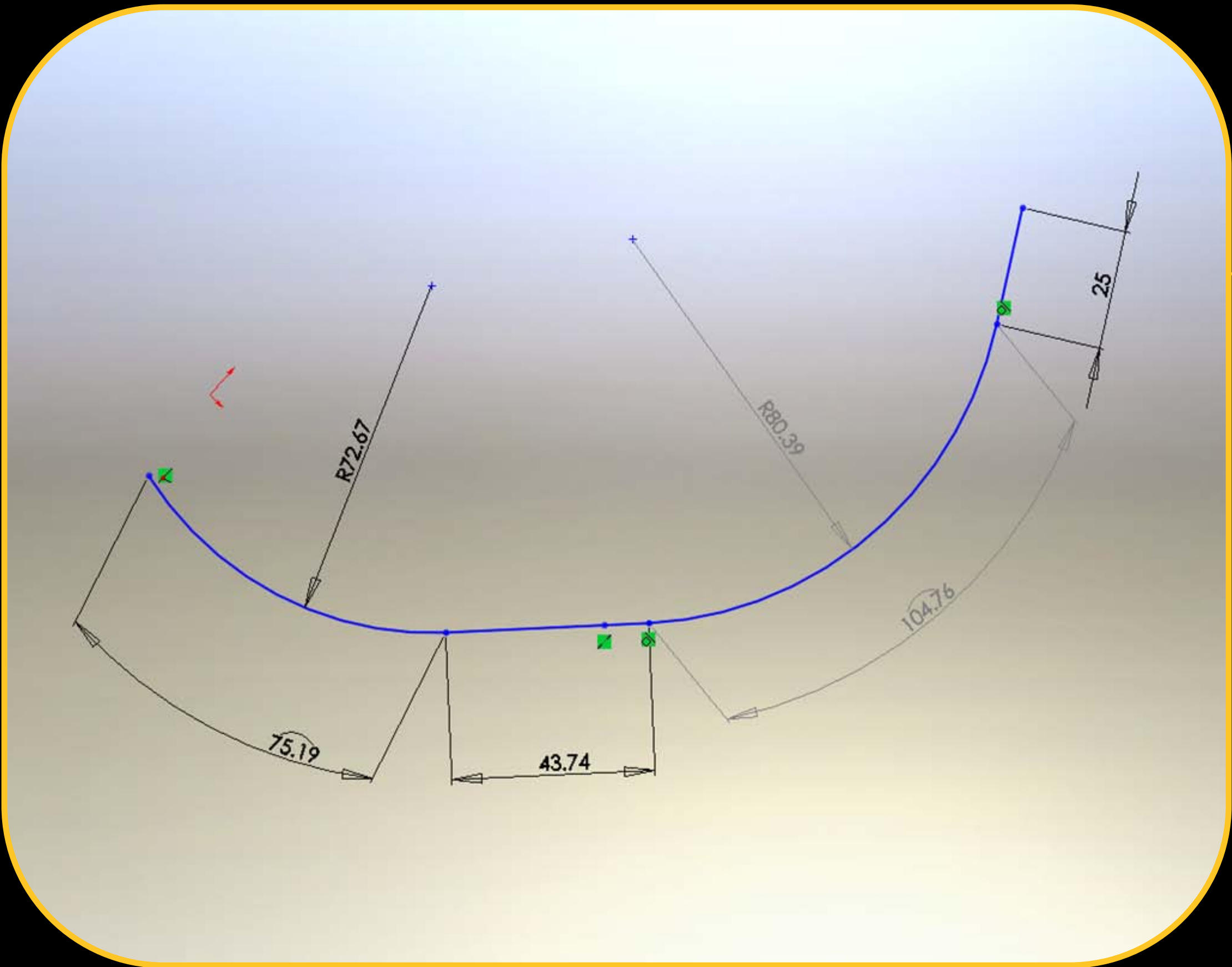
Welding

Finished part

Reverse Engineering Process

Reverse Engineering Process

Formula 1 Standard Process



Existing part

3D scanning

CAD model

Dimension extraction

Jig design

Jig drawings and machining

Jig Assembly

Press tools

Pressings

Flanges

Location

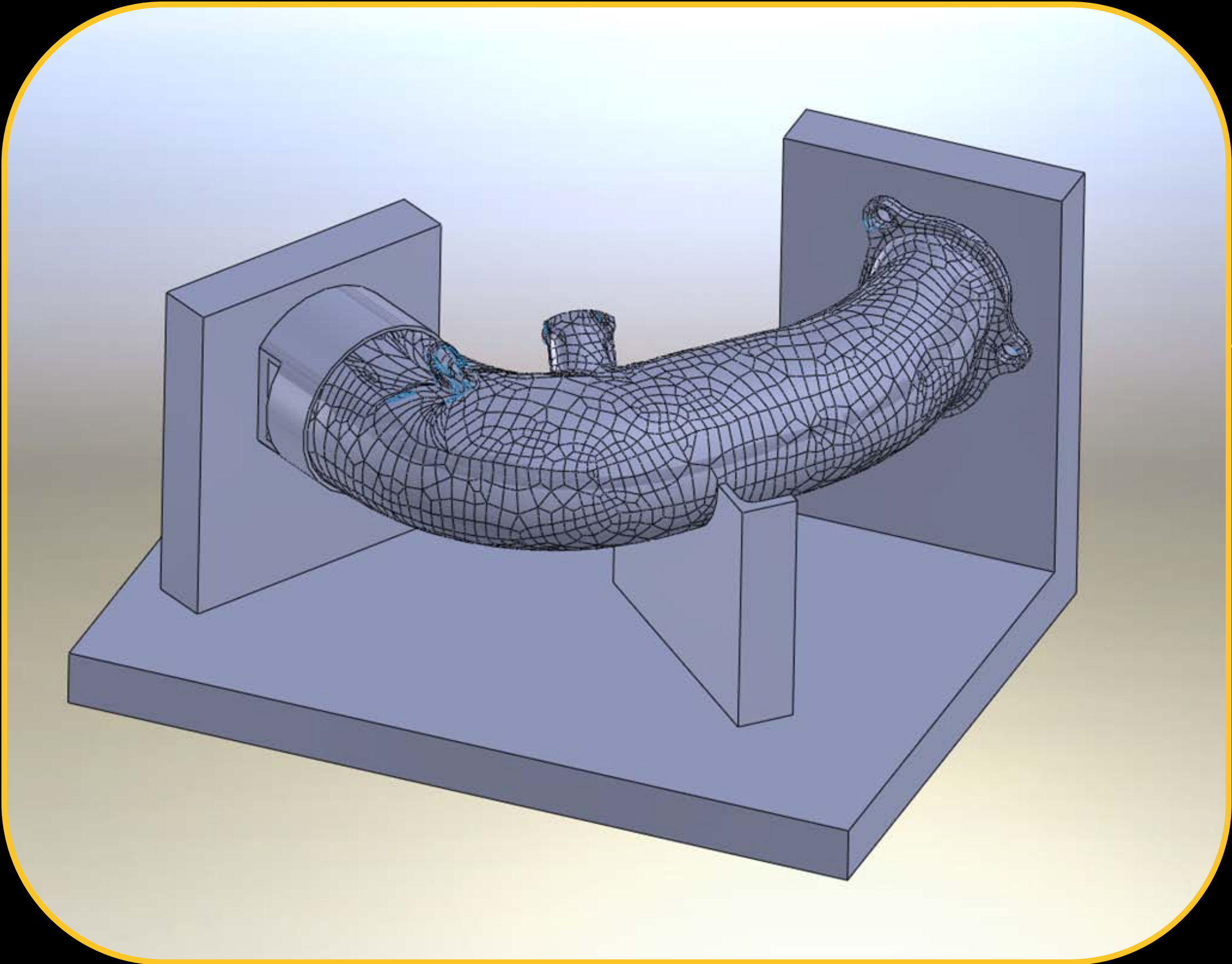
Welding

Finished part

Reverse Engineering Process

Reverse Engineering Process

Formula 1 Standard Process



Existing part

3D scanning

CAD model

Dimension extraction

Jig design

Jig drawings and machining

Jig Assembly

Press tools

Pressings

Flanges

Location

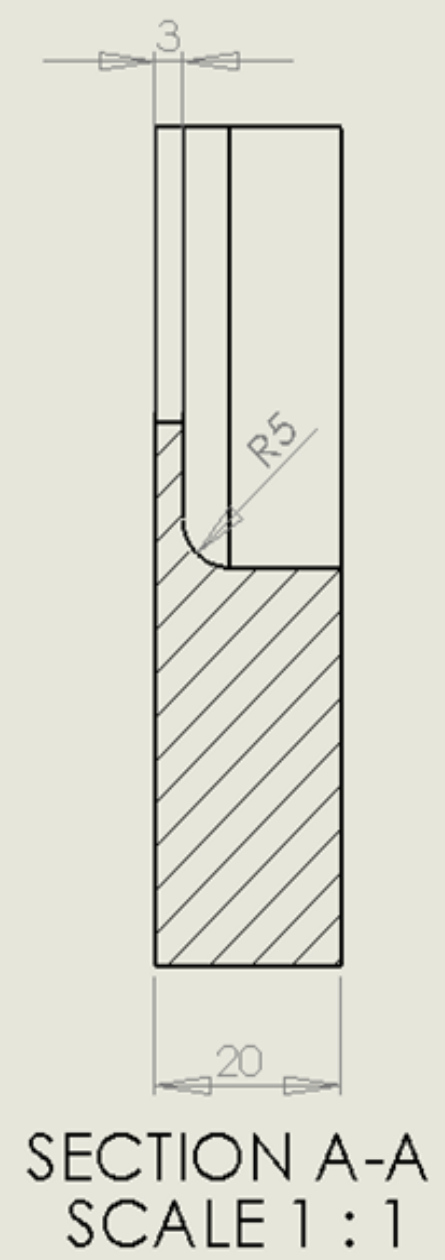
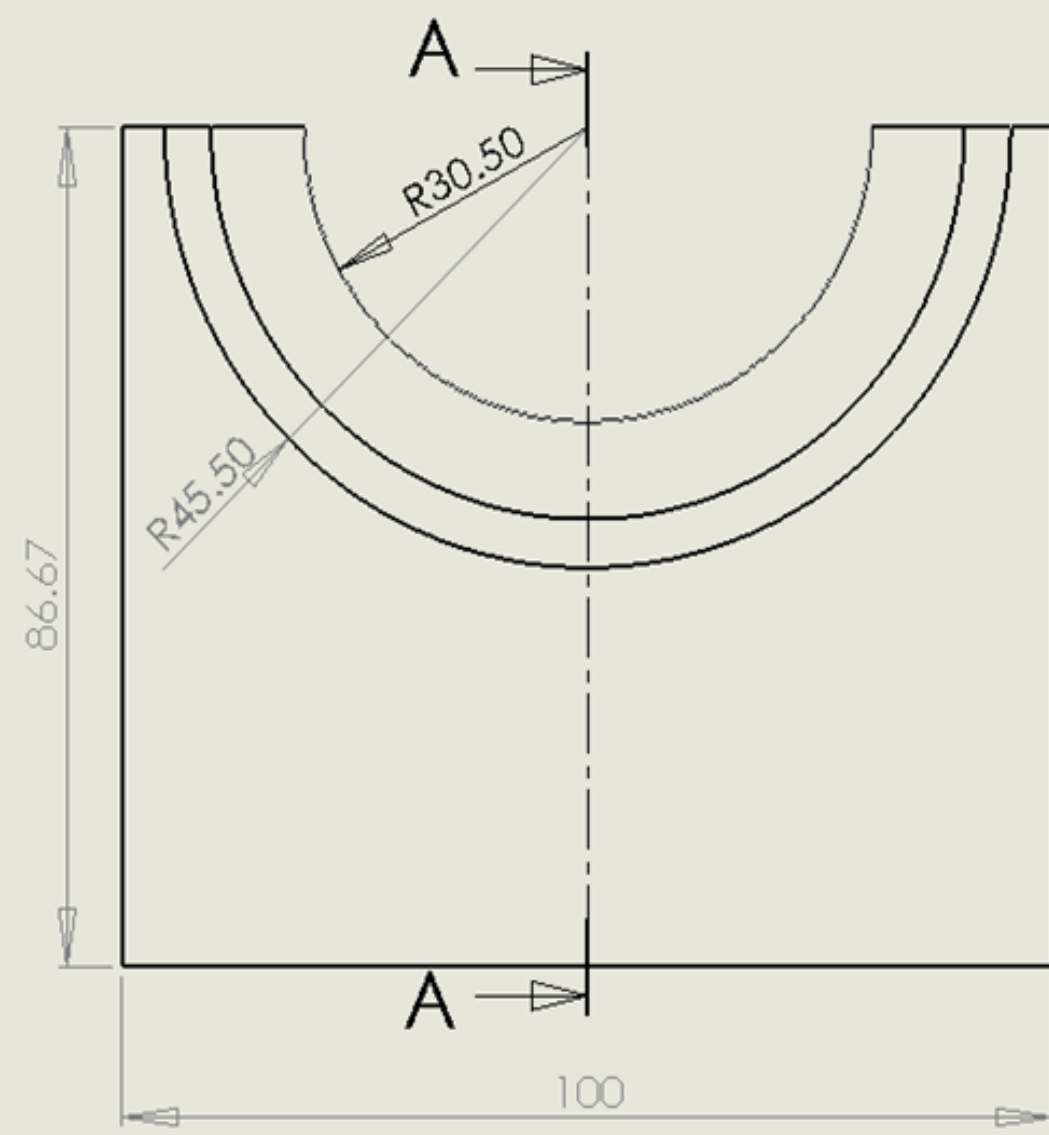
Welding

Finished part

Reverse Engineering Process

Reverse Engineering Process

Formula 1 Standard Process



Existing part

3D scanning

CAD model

Dimension extraction

Jig design

Jig drawings and machining

Jig Assembly

Press tools

Pressings

Flanges

Location

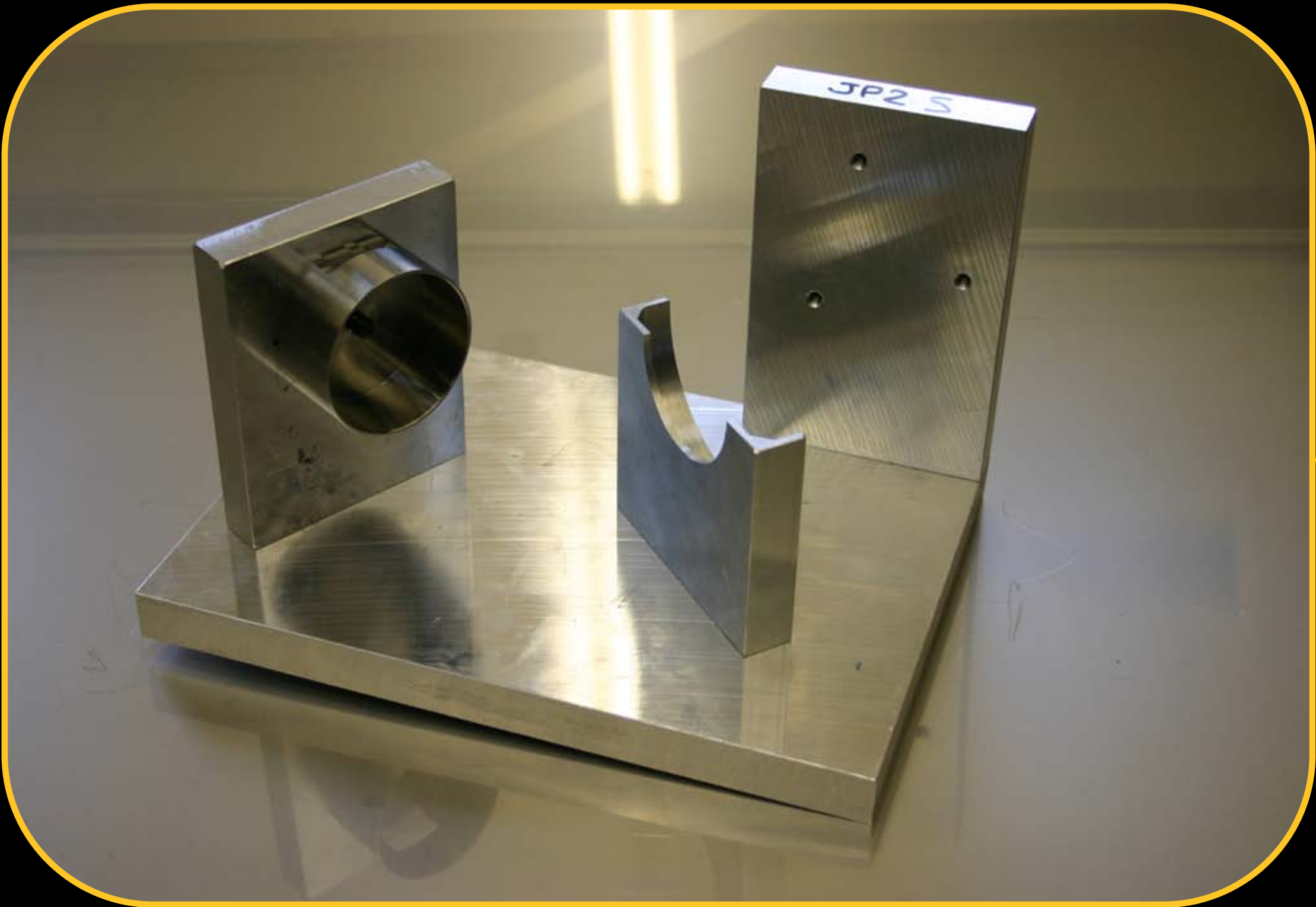
Welding

Finished part

Reverse Engineering Process

Reverse Engineering Process

Formula 1 Standard Process



Existing part

3D scanning

CAD model

Dimension extraction

Jig design

Jig drawings and machining

Jig Assembly

Press tools

Pressings

Flanges

Location

Welding

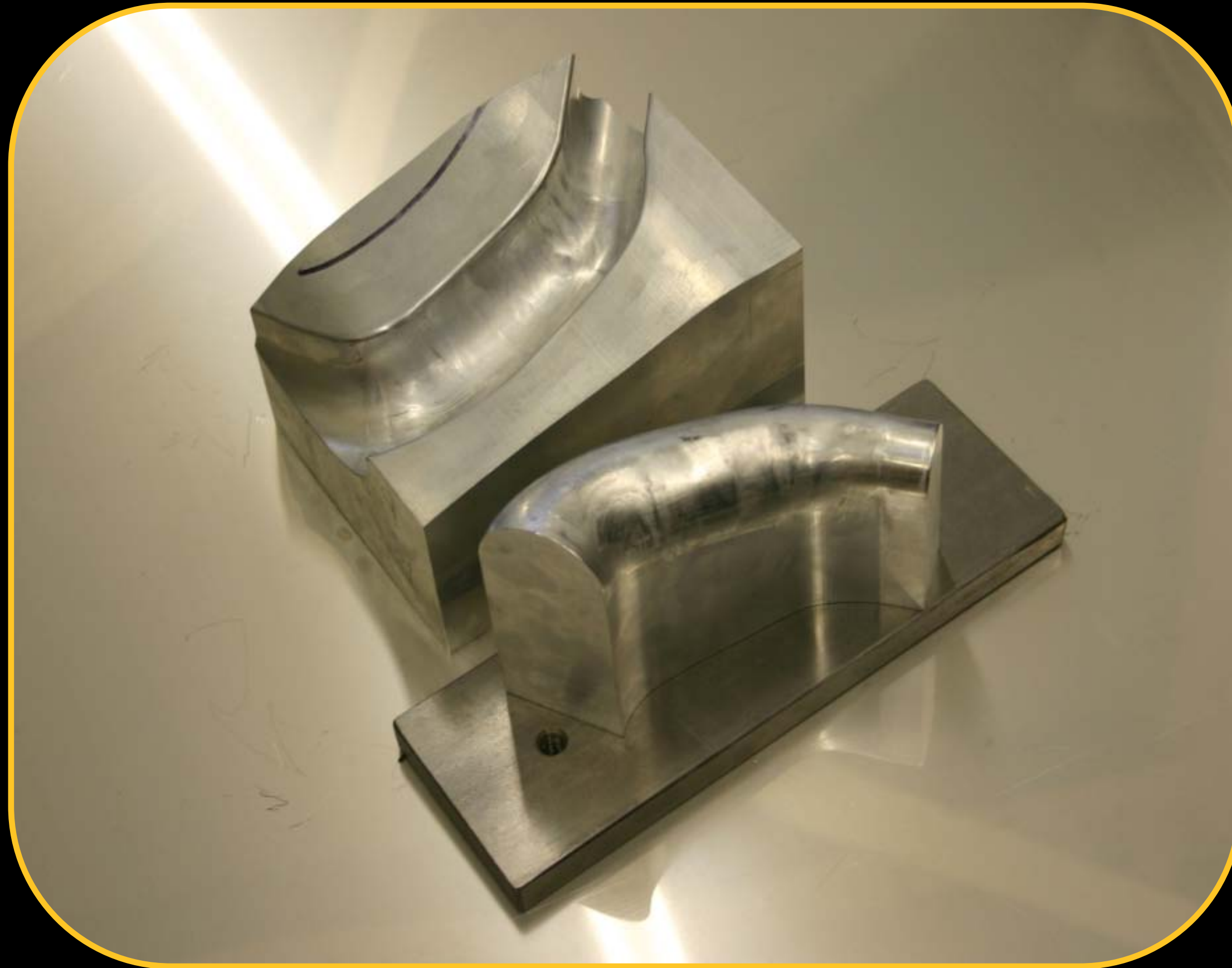
Finished part

Reverse Engineering Process



Reverse Engineering Process

Formula 1 Standard Process



Existing part

3D scanning

CAD model

Dimension extraction

Jig design

Jig drawings and machining

Jig Assembly

Press tools

Pressings

Flanges

Location

Welding

Finished part

Reverse Engineering Process

Reverse Engineering Process

Formula 1 Standard Process



Existing part

3D scanning

CAD model

Dimension extraction

Jig design

Jig drawings and machining

Jig Assembly

Press tools

Pressings

Flanges

Location

Welding

Finished part

Reverse Engineering Process

Reverse Engineering Process

Formula 1 Standard Process



Existing part

3D scanning

CAD model

Dimension extraction

Jig design

Jig drawings and machining

Jig Assembly

Press tools

Pressings

Flanges

Location

Welding

Finished part

Reverse Engineering Process



Reverse Engineering Process

Formula 1 Standard Process



Existing part

3D scanning

CAD model

Dimension extraction

Jig design

Jig drawings and machining

Jig Assembly

Press tools

Pressings

Flanges

Location

Welding

Finished part

Reverse Engineering Process



Reverse Engineering Process

Formula 1 Standard Process



Existing part

3D scanning

CAD model

Dimension extraction

Jig design

Jig drawings and machining

Jig Assembly

Press tools

Pressings

Flanges

Location

Welding

Finished part

Reverse Engineering Process



Reverse Engineering Process

Formula 1 Standard Process



Existing part

3D scanning

CAD model

Dimension extraction

Jig design

Jig drawings and machining

Jig Assembly

Press tools

Pressings

Flanges

Location

Welding

Finished part

Reverse Engineering Process



Reverse Engineering Process

Formula 1 Standard Process



Existing part

3D scanning

CAD model

Dimension extraction

Jig design

Jig drawings and machining

Jig Assembly

Press tools

Pressings

Flanges

Location

Welding

Finished part